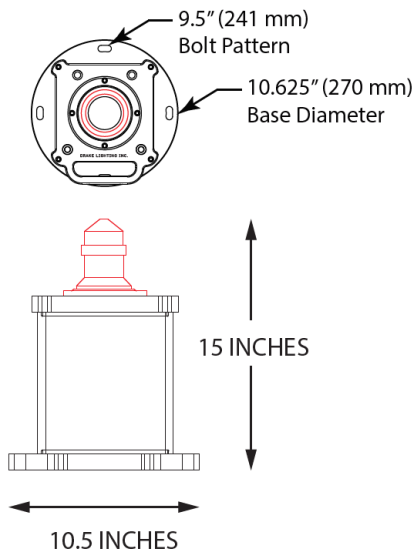


SL20W

L-810 Solar Light



FEATURES

- L-810 Fixture is FAA certified.
- Self-contained without outside power supply.
- Photocell is integrated in light unit.
- 1 Year warranty.
- External charging post (12V standard DC battery charger).
- Usable anywhere in continental US.
- On-Off switch for storage.
- Flash / Steady Burning switch.
- Handle integrated for easy handling.

SPECIFICATIONS

Light output

Lamp type	LED
Light color	Red – Night L-810
Effective intensity	32cd – Night
Horizontal coverage	360°
Vertical beam	3°
Battery Size	10AH, 12V

Electrical value

Power consumption	1.38 watts Night
Power requirements	12V DC

Mechanical

Beacon weight	8 lbs, Fixture
Beacon dimensions (dia. x height)	15in x 10.5in (381 mm x 267 mm)

Others

FAA type	L-810
Transport Canada type	CL-810
Operating temperature	-40°C to 55°C (-40°F to 131°F)
Warranty	1 year (refer to full warranty statement)

CERTIFIED

- FAA AC 150/5345-43J